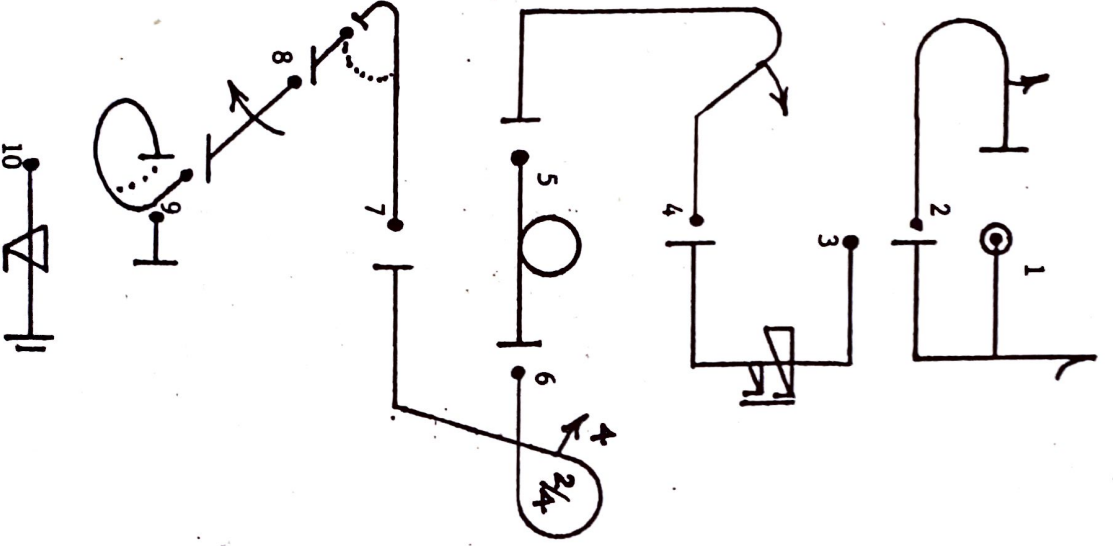


Sportsman

Direction of Flight →

← Wind

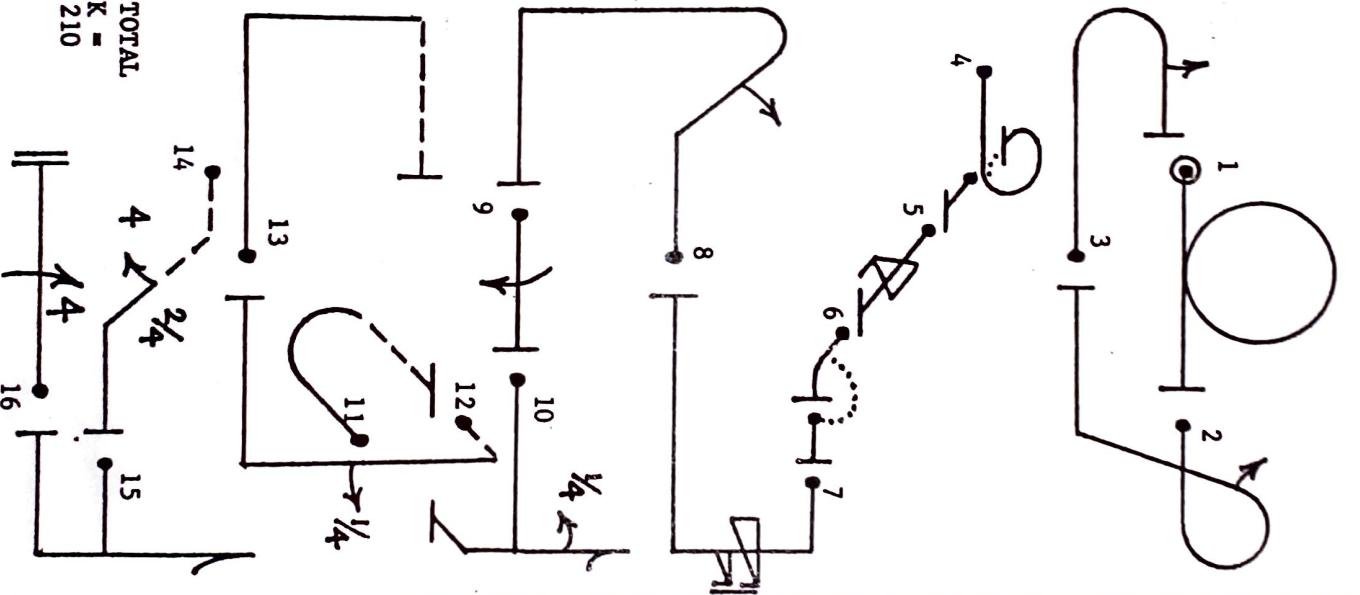


TOTAL K - 119

Intermediate

Direction of Flight →

← Wind

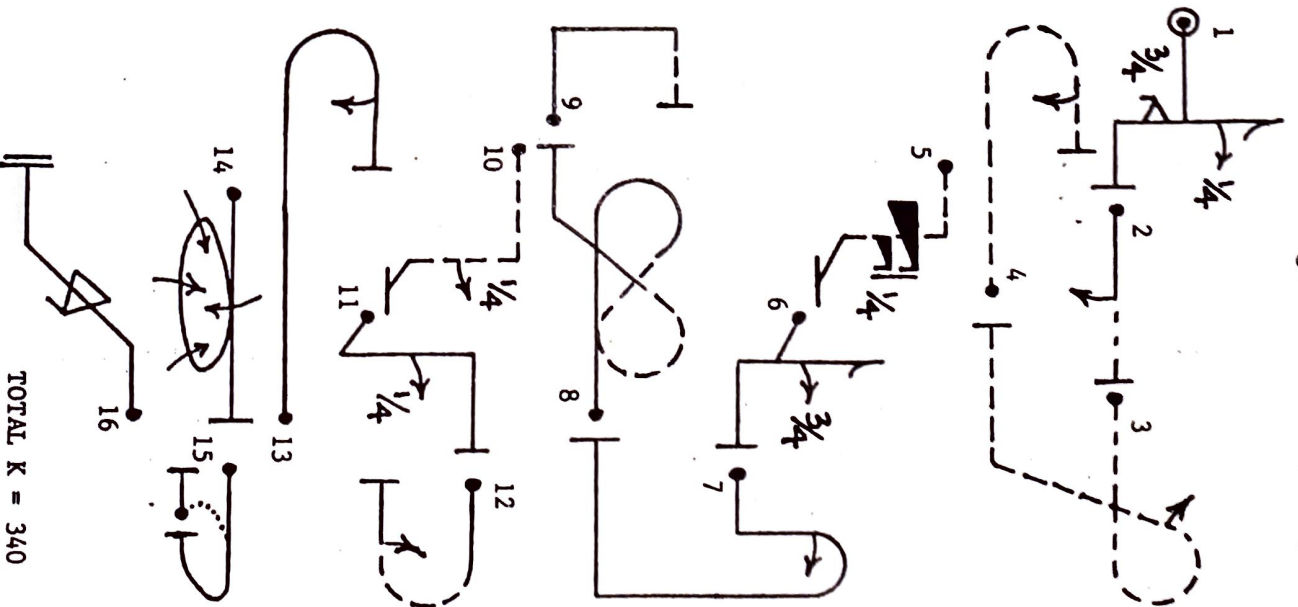


TOTAL K - 210

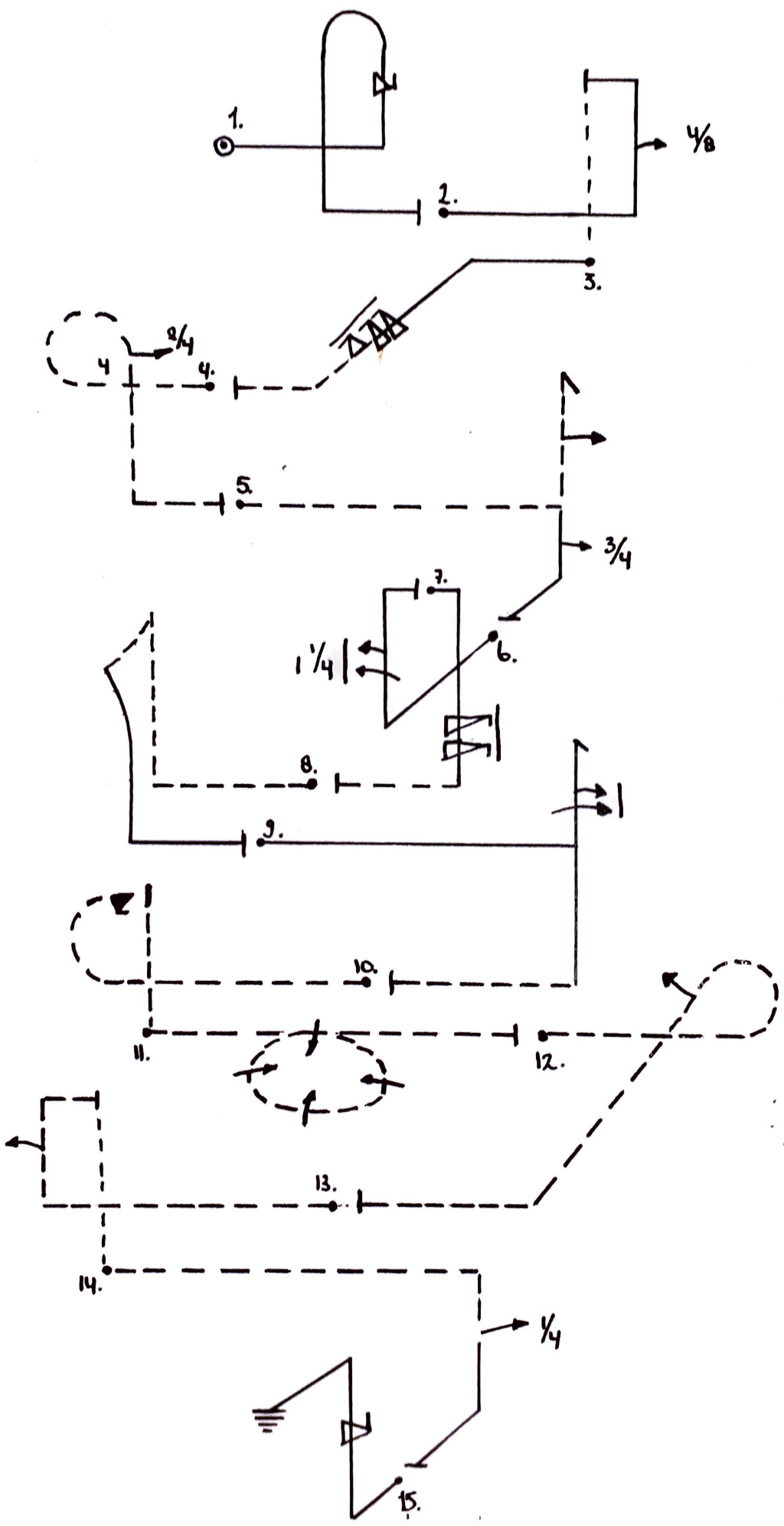
Advanced

Direction of Flight →

← Wind



TOTAL K - 340



1-	26
2-	23
3-	31
4-	37
5-	47
6-	20
7-	30
8-	21
9-	41
10-	29
11-	36
12-	20
13-	26
14-	10
15-	27
<hr/>	
K =	448