



VINK

Sports

2021

Known

DONAC

wind/vent ← **R**

Figure K
112
Total K
127

Judges Name		Flight #
Signature	Number	

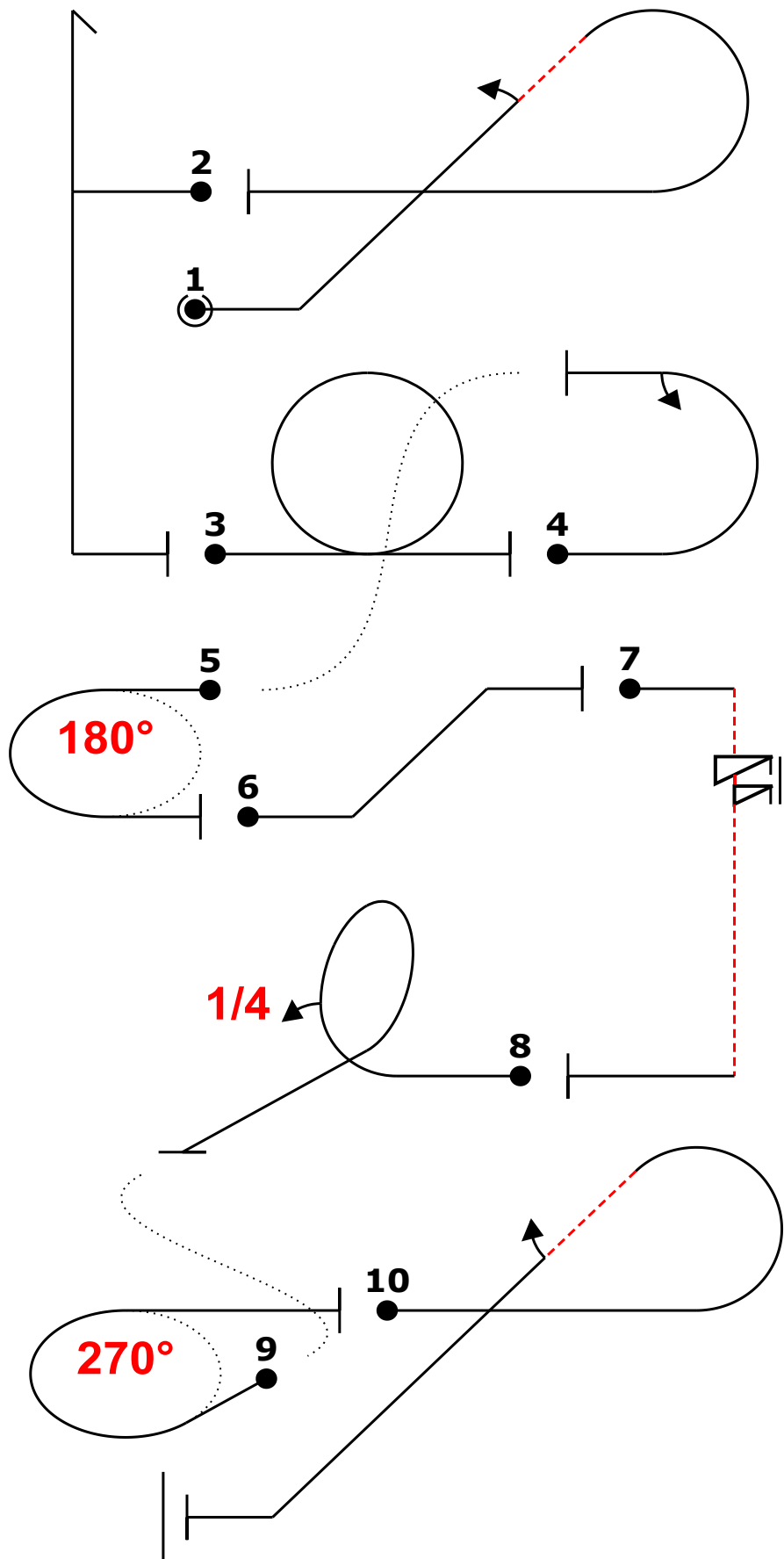


Fig	Grade	Pos	Remarks
1	.		
2	.		
3	.		
4	.		
5	.		
6	.		
7	.		
8	.		
9	.		
10	.		

Positioning
15

Too Low	<input type="text"/>	Trg Violation	<input type="text"/>
Too High	<input type="text"/>	Wing Rocks	<input type="text"/>
Interruptions	<input type="text"/>	Disqual Fig	<input type="text"/>
Insertions	<input type="text"/>	Other(note...)	<input type="text"/>

Fig 1	K	Fig 2	K	Fig 3	K	Fig 4	K	Fig 5	K	Fig 6	K	Fig 7	K	Fig 8	K	Fig 9	K	Fig 10	K
8.5.2.1	10	5.2.1.1	17	7.4.1.1	10	7.2.2.1	6	2.2.1.1	4	1.1.2.1	7	1.1.6.3	10	0.1	16	2.3.1.1	5	8.5.6.1	10
9.1.2.2	6			9.1.3.2	4							9.11.1.6	3					9.1.4.2	4
	16		17		10		10		4		7		13		16		5		14

Pilot:

A/C:



VINK

Sports

2021

Known

DONAC

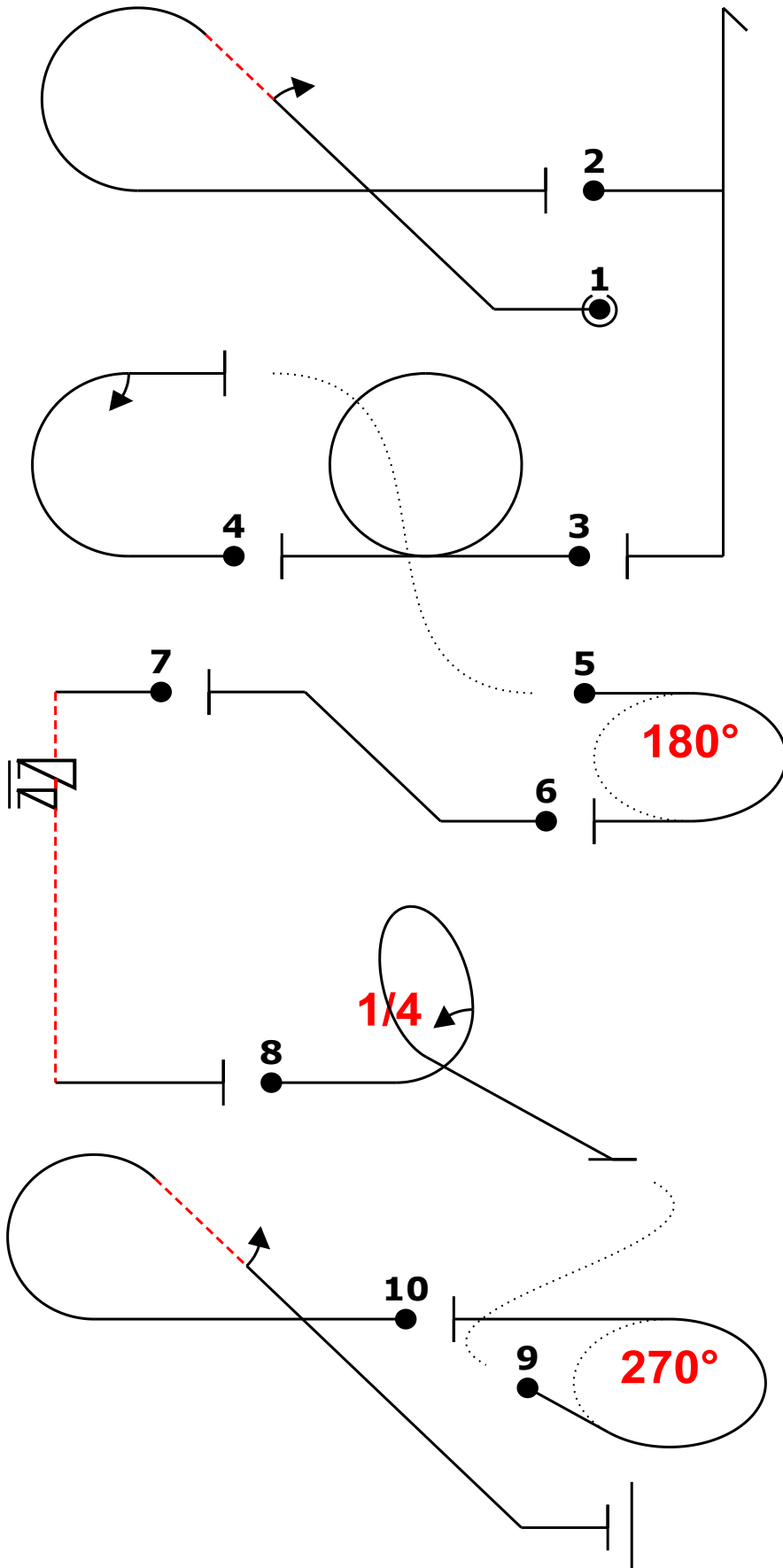
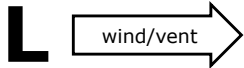


Figure K

112

Total K

127

Judges Name

Flight #

Signature

Number

Fig	Grade	Pos	Remarks
1	.		
2	.		
3	.		
4	.		
5	.		
6	.		
7	.		
8	.		
9	.		
10	.		

Positioning

15

.

Too Low		Trg Violation	
Too High		Wing Rocks	
Interruptions		Disqual Fig	
Insertions		Other(note...)	

Fig 1	K	Fig 2	K	Fig 3	K	Fig 4	K	Fig 5	K	Fig 6	K	Fig 7	K	Fig 8	K	Fig 9	K	Fig 10	K
8.5.2.1	10	5.2.1.1	17	7.4.1.1	10	7.2.2.1	6	2.2.1.1	4	1.1.2.1	7	1.1.6.3	10	0.1	16	2.3.1.1	5	8.5.6.1	10
9.1.2.2	6					9.1.3.2	4					9.11.1.6	3					9.1.4.2	4
	16		17		10		10		4		7		13		16		5		14

Pilot:

A/C: