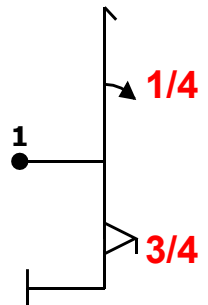
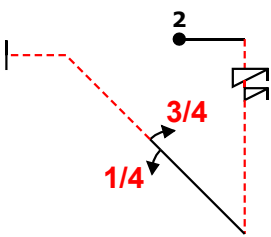
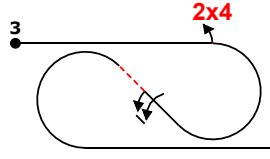
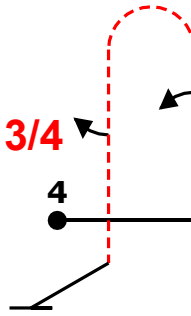
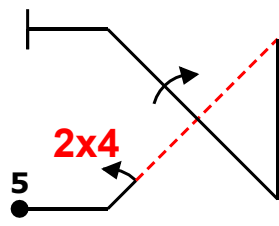




# DONAC 2020

## CIVA Advanced Programme 1

### Compulsory figures

 <p><b>Fig A</b> 5.2.1.1(17) 9.1.1.1(6) 9.9.5.3(11) <b>K: 34</b></p>	 <p><b>Fig B</b> 1.2.8.3(15) 9.11.1.6(3) 9.1.2.1(4) 9.1.2.3(8) <b>K: 30</b></p>	 <p><b>Fig C</b> 7.5.5.3(15) 9.4.3.2(5) 9.1.2.6(12) <b>K: 32</b></p>	 <p><b>Fig D</b> 8.4.3.1(15) 9.1.1.2(8) 9.1.5.3(6) <b>K: 29</b></p>	 <p><b>Fig E</b> 1.3.2.1(18) 9.4.2.2(7) 9.1.2.4(10) <b>K: 35</b></p>
--	--	---	--	---