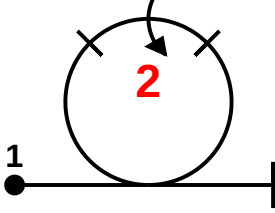
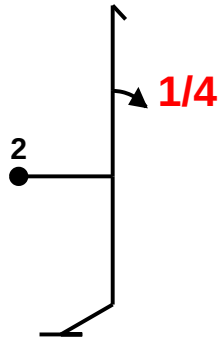
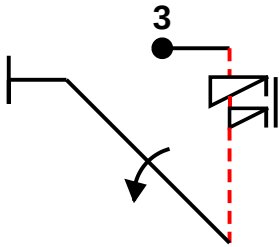
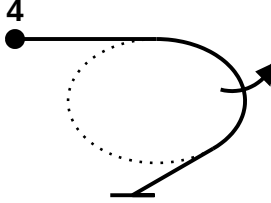
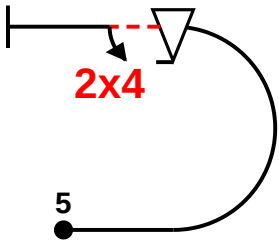




CIVA Intermediate Programme1

 <p>Fig A 7.4.1.1(10) 9.2.3.4(9) K: 19</p>	 <p>Fig B 5.2.1.1(17) 9.1.1.1(6) K: 23</p>	 <p>Fig C 1.2.6.3(15) 9.11.1.6(3) 9.1.2.4(10) K: 28</p>	 <p>Fig D 2.1.3.3(15) K: 15</p>	 <p>Fig E 7.2.2.1(6) 9.9.3.4(11) 9.4.3.2(5) K: 22</p>
---	--	---	--	---