



VINK

Sports

2018

Known

Figure K

112

Total K

127

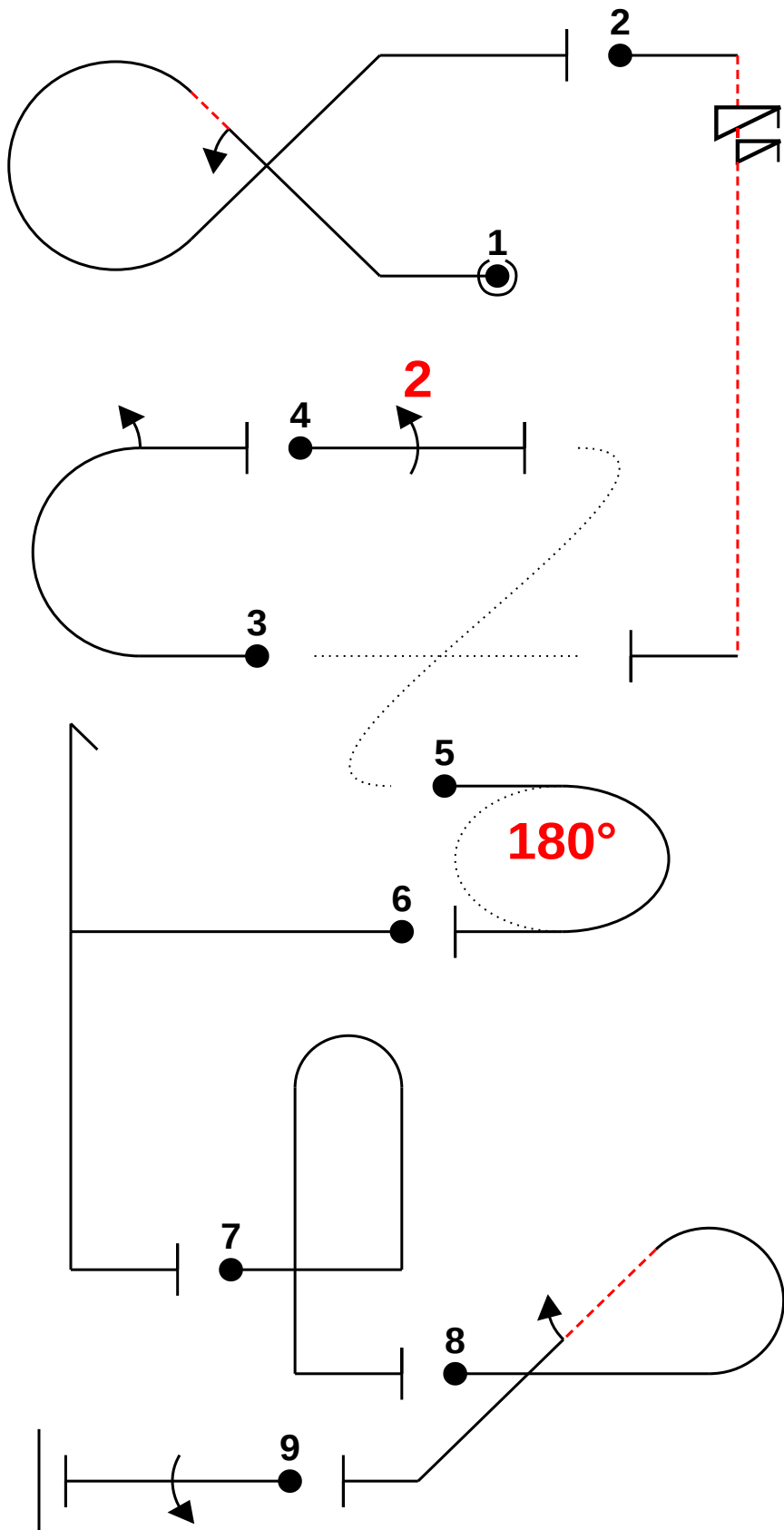
Judges Name

Flight #

Signature

Number

wind/vent ← R



| Fig | Pos | Remarks | Grade |
|-----|-----|---------|-------|
| 1   |     |         | .     |
| 2   |     |         | .     |
| 3   |     |         | .     |
| 4   |     |         | .     |
| 5   |     |         | .     |
| 6   |     |         | .     |
| 7   |     |         | .     |
| 8   |     |         | .     |
| 9   |     |         | .     |

|   |              |                   |   |
|---|--------------|-------------------|---|
| . | Harmony<br>0 | Positioning<br>15 | . |
|---|--------------|-------------------|---|

|               |  |                |  |
|---------------|--|----------------|--|
| Too Low       |  | Trg Violation  |  |
| Too High      |  | Wing Rocks     |  |
| Interruptions |  | Disqual Fig    |  |
| Insertions    |  | Other(note...) |  |

ed /2g+ iv`6s..... (-10,0) m2 22 (-7,13) 2j ~++h... `b'+` -3% `c.',2'' 1

| Fig 1   | K  | Fig 2    | K  | Fig 3   | K  | Fig 4   | K  | Fig 5   | K | Fig 6   | K  | Fig 7   | K  | Fig 8   | K  | Fig 9   | K  |
|---------|----|----------|----|---------|----|---------|----|---------|---|---------|----|---------|----|---------|----|---------|----|
| 7.3.2.1 | 14 | 1.1.6.3  | 10 | 7.2.2.1 | 6  | 1.1.1.1 | 2  | 2.2.1.1 | 4 | 5.2.1.1 | 17 | 8.4.1.1 | 13 | 8.5.6.1 | 10 | 1.1.1.1 | 2  |
| 9.1.2.2 | 6  | 9.11.1.6 | 3  | 9.1.3.2 | 4  | 9.2.3.4 | 9  |         |   |         |    |         |    | 9.1.4.2 | 4  | 9.1.3.4 | 8  |
|         | 20 |          | 13 |         | 10 |         | 11 |         | 4 |         | 17 |         | 13 |         | 14 |         | 10 |

Pilot:

A/C:

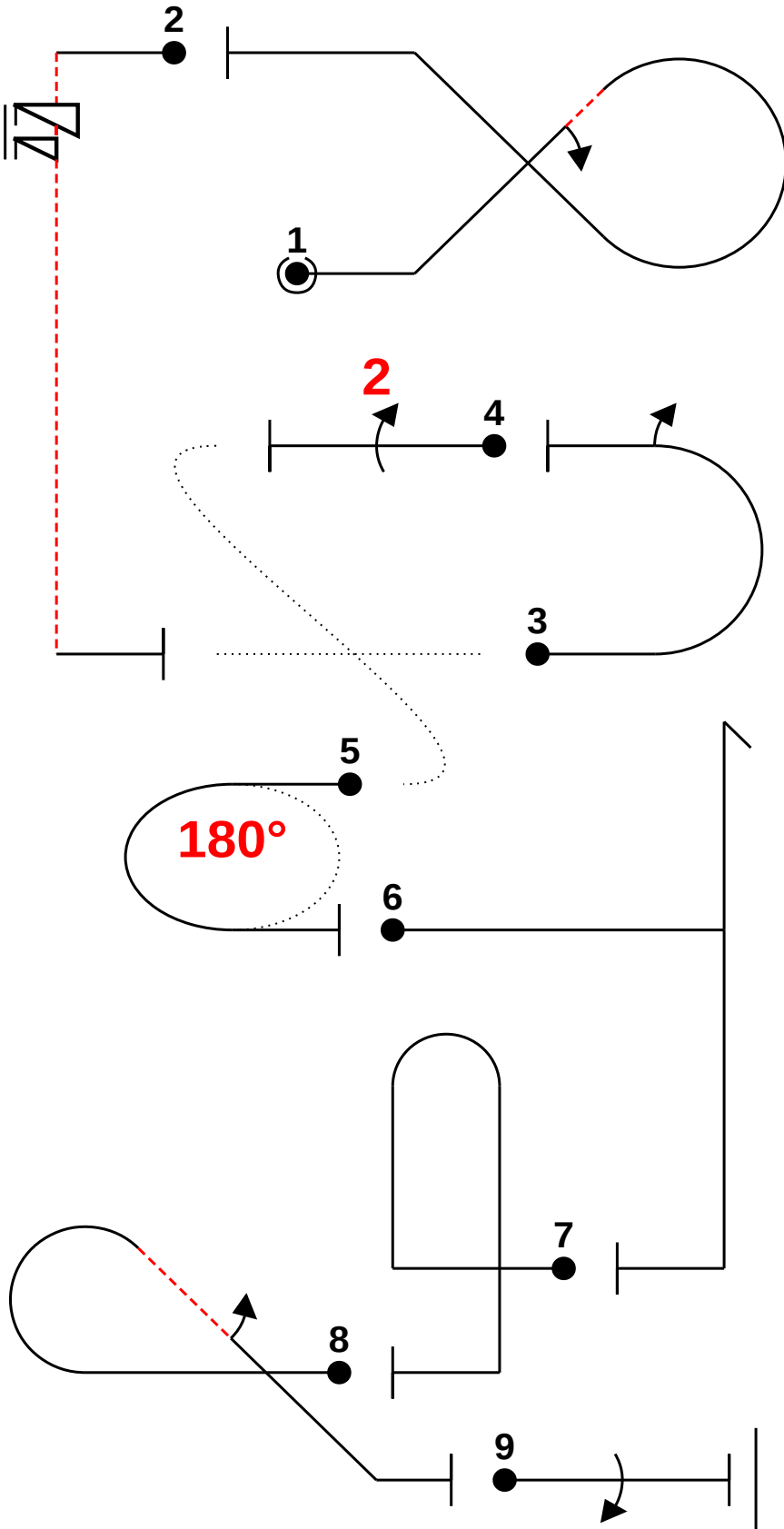
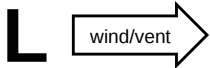


VINK

Sports

2018

Known



ed /2g+ iv`6s..... (-10,0) m2 22 (-7,13) 2j ~++h...' `b'+'' -3% `c.',2'' 1

Figure K

112

Total K

127

Judges Name

Flight #

Signature

Number

| Fig | Pos | Remarks | Grade |
|-----|-----|---------|-------|
| 1   |     |         | .     |
| 2   |     |         | .     |
| 3   |     |         | .     |
| 4   |     |         | .     |
| 5   |     |         | .     |
| 6   |     |         | .     |
| 7   |     |         | .     |
| 8   |     |         | .     |
| 9   |     |         | .     |

|   |              |                   |   |
|---|--------------|-------------------|---|
| . | Harmony<br>0 | Positioning<br>15 | . |
|---|--------------|-------------------|---|

|               |  |                |  |
|---------------|--|----------------|--|
| Too Low       |  | Trg Violation  |  |
| Too High      |  | Wing Rocks     |  |
| Interruptions |  | Disqual Fig    |  |
| Insertions    |  | Other(note...) |  |

| Fig 1   | K  | Fig 2    | K  | Fig 3   | K  | Fig 4   | K  | Fig 5   | K | Fig 6   | K  | Fig 7   | K  | Fig 8   | K  | Fig 9   | K  |
|---------|----|----------|----|---------|----|---------|----|---------|---|---------|----|---------|----|---------|----|---------|----|
| 7.3.2.1 | 14 | 1.1.6.3  | 10 | 7.2.2.1 | 6  | 1.1.1.1 | 2  | 2.2.1.1 | 4 | 5.2.1.1 | 17 | 8.4.1.1 | 13 | 8.5.6.1 | 10 | 1.1.1.1 | 2  |
| 9.1.2.2 | 6  | 9.11.1.6 | 3  | 9.1.3.2 | 4  | 9.2.3.4 | 9  |         |   |         |    |         |    | 9.1.4.2 | 4  | 9.1.3.4 | 8  |
|         | 20 |          | 13 |         | 10 |         | 11 |         | 4 |         | 17 |         | 13 |         | 14 |         | 10 |

Pilot:

A/C: