



DONAC 2016 2-9-2016

Form A

Pilot ID

Flight #

VINK Beginners Known

No	Symbol	Cat. No.	K	Total K	Marks	Remarks	Pos	Item	K	Grade
1		1.1.2.1	7	7				Pos.	10	
								Fig K	Total K	
2		1.1.6.3 9.11.1.4	10 5	15				60	70	
								Penalties		
3		8.5.6.1 9.1.4.2	10 4	14				Too Low		
								Too High		
								Interruptions		
								Insertions		
								Trg Violation		
								Wing Rocks		
								Disqual Fig		
Other(note...)										
4		7.4.1.1	10	10				Final Freestyle		
								Duration	Min	Sec
5		2.2.1.1	4	4				Judges Details		
								Signature		
								Name		
6		1.1.1.1 9.1.3.4	2 8	10				Number		

 Pilot
 A/C



DONAC 2016 2-9-2016

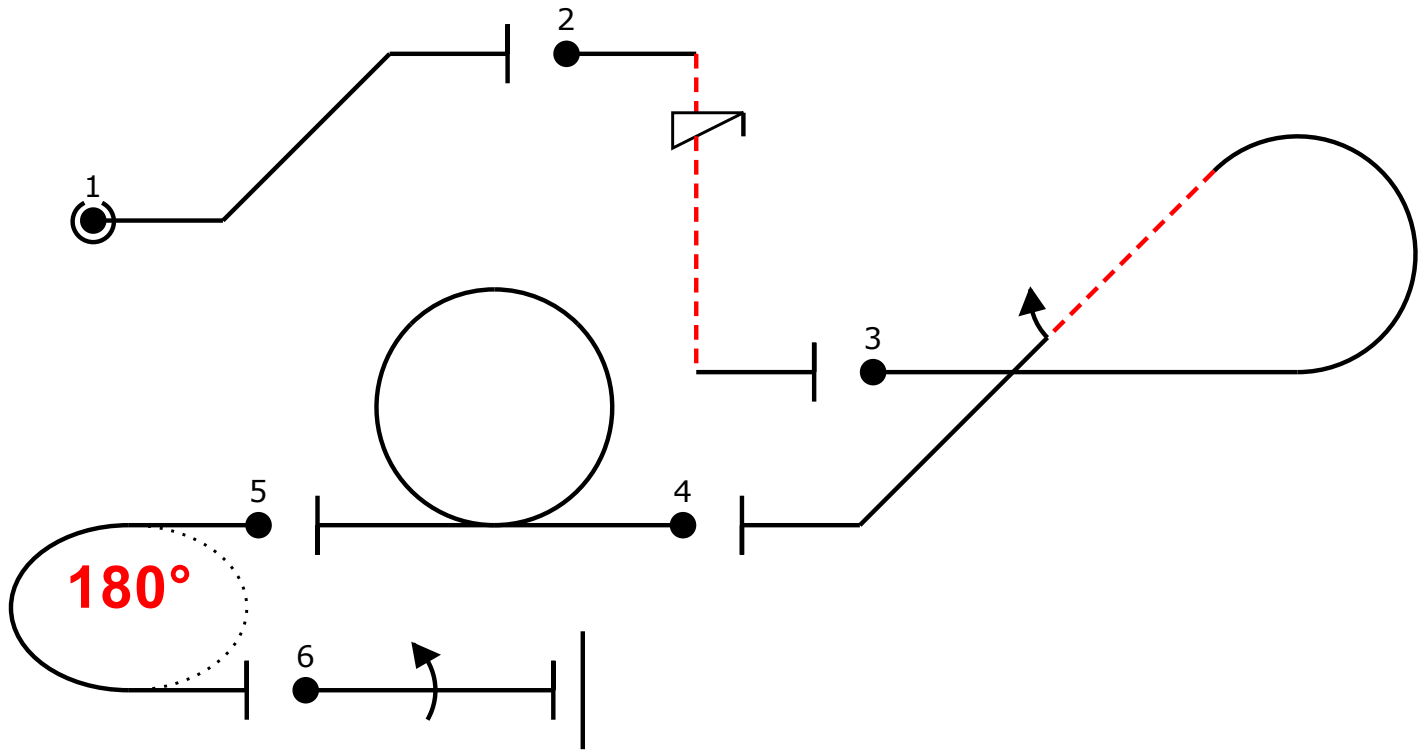
Form B

Pilot ID

Flight #

VINK Beginners Known

wind/vent



..... Pilot
..... A/C



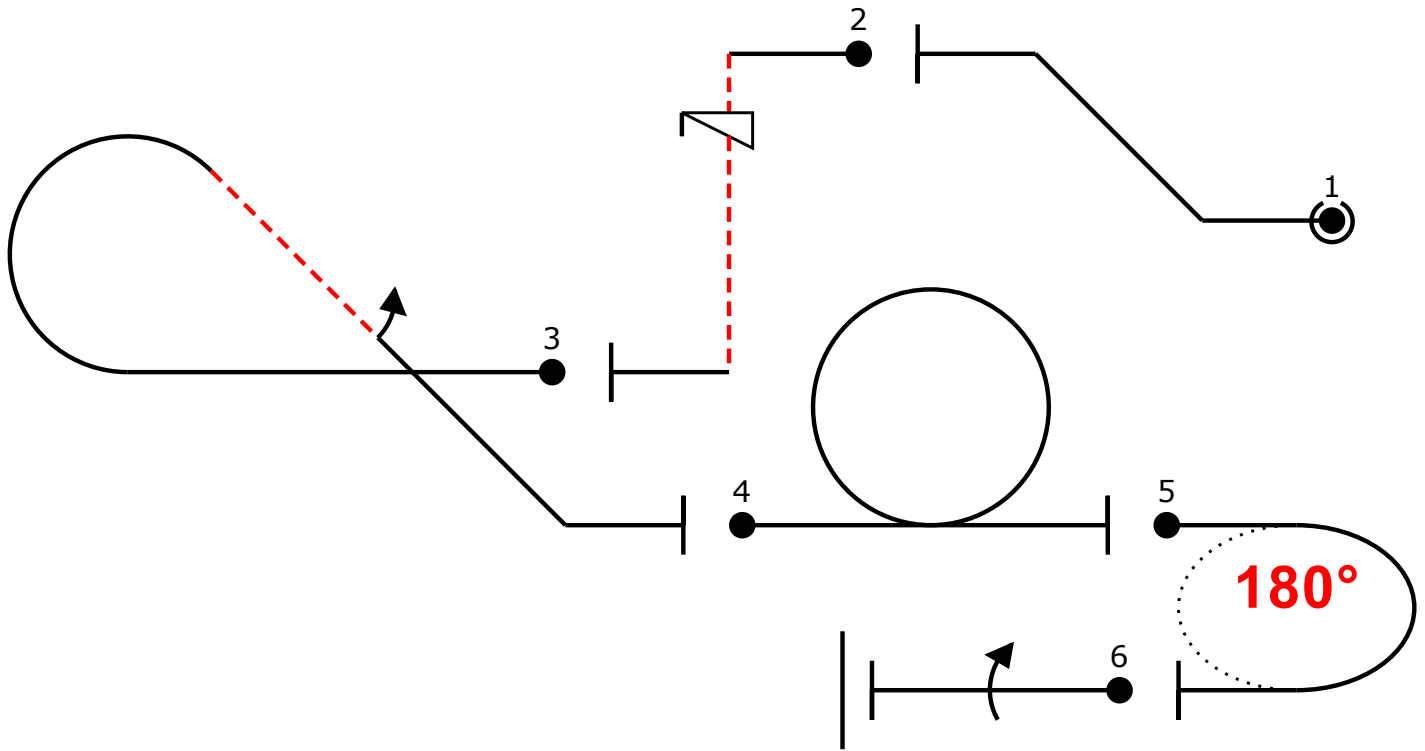
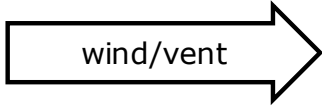
DONAC 2016 2-9-2016

Form C

Pilot ID

Flight #

VINK Beginners Known



..... Pilot
..... A/C



VINK	Beginners	2-9-2016
Known		

wind/vent ← **R**

Figure K 60	Judges Name	Flight #
Total K 70	Signature Number	

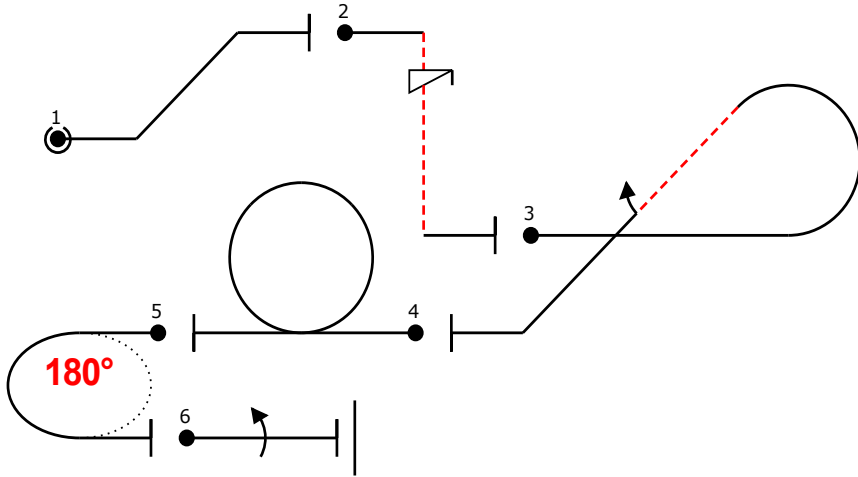


Fig	Pos	Remarks	Grade
1			.
2			.
3			.
4			.
5			.
6			.

Positioning	.
10	.

Too Low		Trg Violation	
Too High		Wing Rocks	
Interruptions		Disqual Fig	
Insertions		Other(note...)	

d iv`s.' c.'',2 o 2j 1

Fig 1	K	Fig 2	K	Fig 3	K	Fig 4	K	Fig 5	K	Fig 6	K
1.1.2.1	7	1.1.6.3	10	8.5.6.1	10	7.4.1.1	10	2.2.1.1	4	1.1.1.1	2
		9.1.1.1.4	5	9.1.4.2	4					9.1.3.4	8
	7		15		14		10		4		10

Pilot:

A/C:



VINK	Beginners	2-9-2016
Known		

Figure K	60
Total K	70

Judges Name	
Signature	Number

Flight #

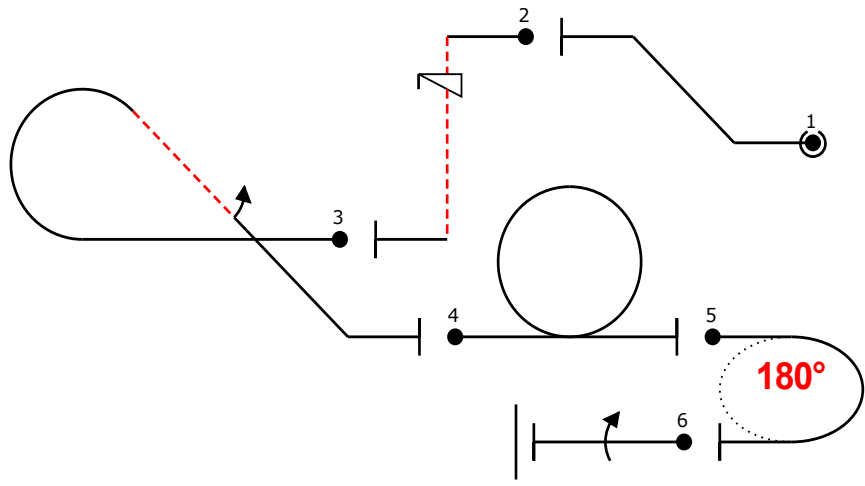
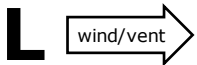


Fig	Pos	Remarks	Grade
1			.
2			.
3			.
4			.
5			.
6			.

Positioning	10	.
-------------	----	---

Too Low		Trg Violation	
Too High		Wing Rocks	
Interruptions		Disqual Fig	
Insertions		Other(note...)	

d iv`s.' c.'',2 o 2j 1

Fig 1	K	Fig 2	K	Fig 3	K	Fig 4	K	Fig 5	K	Fig 6	K
1.1.2.1	7	1.1.6.3	10	8.5.6.1	10	7.4.1.1	10	2.2.1.1	4	1.1.1.1	2
		9.1.1.1.4	5	9.1.4.2	4					9.1.3.4	8
	7		15		14		10		4		10

Pilot:

A/C: