



Pilot ID

Flight #

Unlimited Programme Known

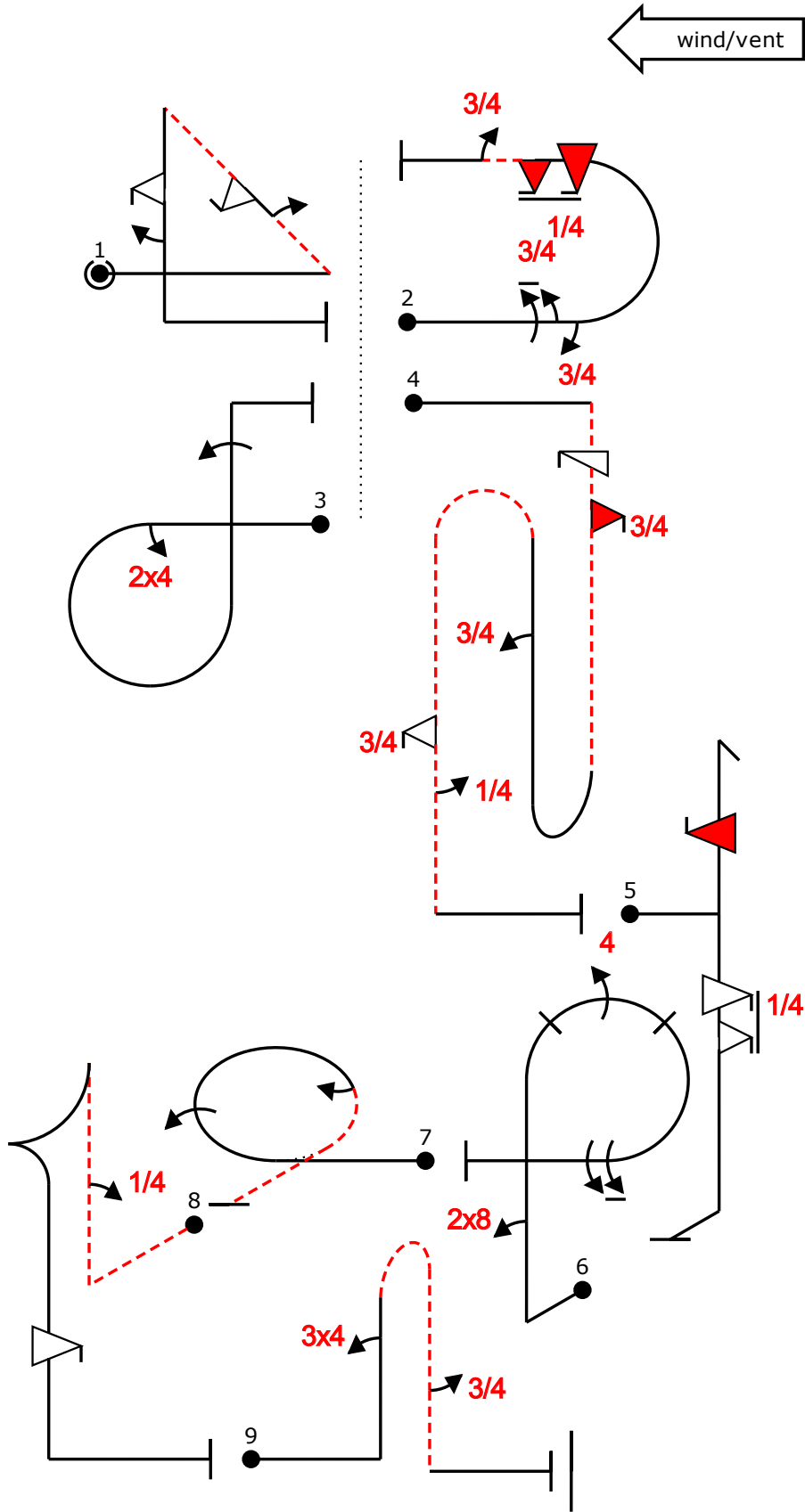
No	Symbol	Cat. No.	K	Total K	Marks	Remarks	Pos	Item	K	Grade
1		1.2.9.1 9.1.2.2 9.9.2.2 9.9.5.2 9.1.5.2	15 6 13 11 4	49				Pos.	60	
2		7.2.2.1 9.1.3.7 9.1.3.3 9.10.8.5 9.1.3.3	6 11 6 17 6	46				Fig K		Total K
								383		443
3		8.6.8.3 9.4.3.2 9.1.1.4	12 5 12	29				<b>Penalties</b>		
								Too Low		
								Disqual Fig		
								Too High		
								Outs		
								Interruptions		
								Insertions		
								Missed Slot		
								Trg Violation		
								Faulty Wing Rocks		
4		8.8.6.3 9.11.1.4 9.10.5.3 9.1.1.3 9.9.10.3 9.1.5.1	21 5 13 10 13 2	64				<b>Final Freestyle</b>		
								Duration	Min	Sec
5		5.2.1.1 9.10.6.4 9.9.5.5	17 19 13	49				<b>Judges Details</b>		
								Signature		
								Name		
								Number		
6		8.6.1.1 9.8.1.1 9.4.3.4 9.1.3.8	11 7 11 12	41						
7		2.3.3.3	38	38						
8		6.2.1.4 9.1.1.1 9.9.5.4	17 6 11	34						
9		8.4.3.1 9.4.1.3 9.1.5.3	15 12 6	33						

\_\_\_\_\_  
pilot

\_\_\_\_\_  
A/C



DONAC 2013 6-9-2013		Form B
Pilot ID	Unlimited Programme Known	Flight #

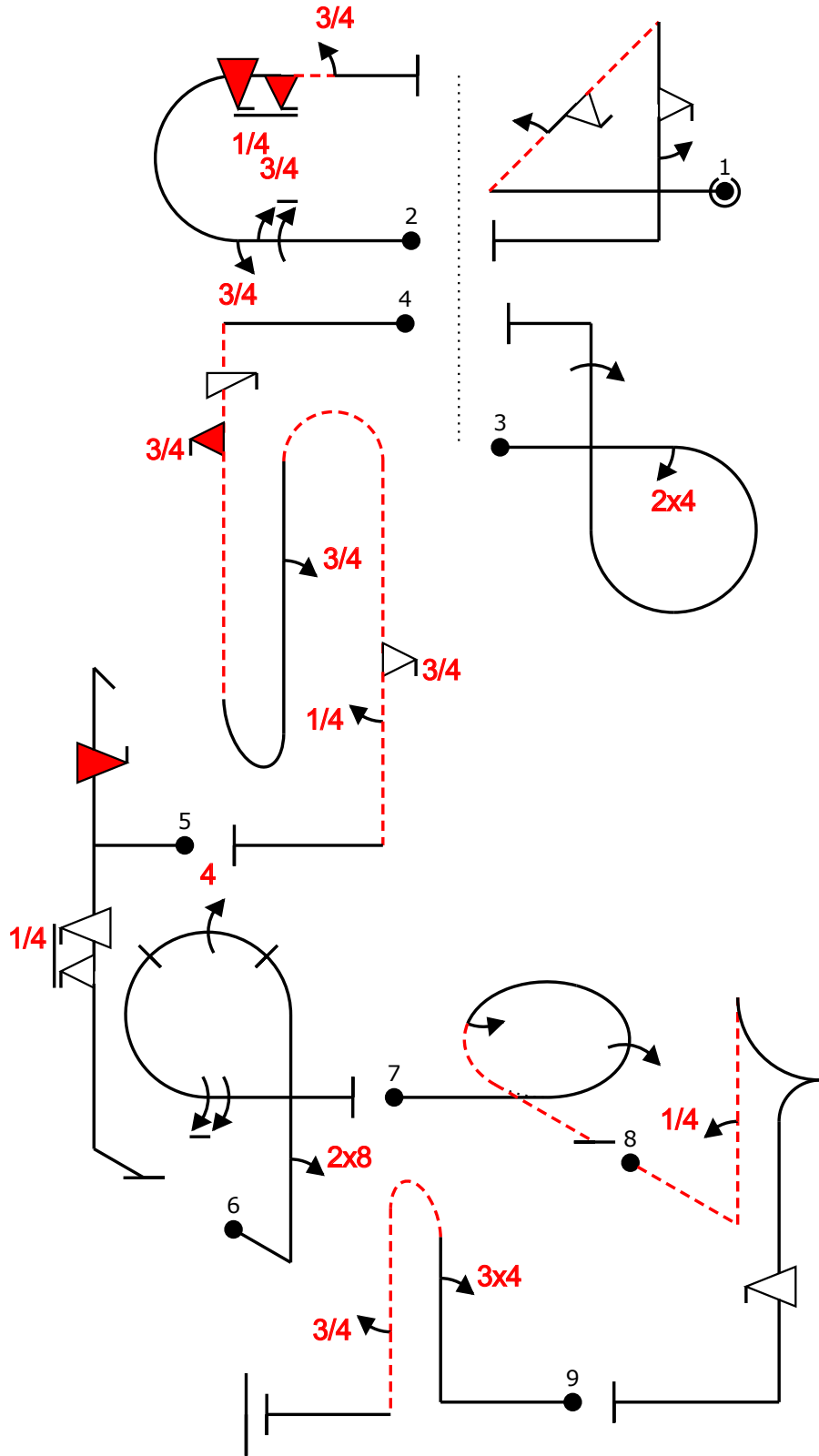
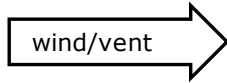


+2,2fzt,2f;2+~ 2> ~7,3m5if,3 [0,18] 24ip1 3> 2% ~``',s,3if...ibpb(``3)..,3f,4'> ifh5f.. 3> .8'rp(44)9 `+3joi15- -,4taf. 34pb3^>

/----- pilot  
 /----- A/C



DONAC 2013 6-9-2013		Form C
Pilot ID	Unlimited Programme Known	Flight #



+2,2fzt,2f;2+~ 2> ~7,3m5if,3 [0,18] 24ip1 3> 2% ~``',s,3if...ibpb(``'3)..,3f,4'> ifh5f.. 3>  
 .8'rp(44)9 `+3joi15- -.4taf. 34pb3^>

----- pilot  
 ..... A/C