

Unknown

Standard

Pilot ID #

Flight #

| No | Symbol | Catalog No        | K       | Tot K | Score | Remarks |
|----|--------|-------------------|---------|-------|-------|---------|
| 1  |        | 8.32.1<br>9.1.2.2 | 10<br>6 | 16    |       |         |
|    |        |                   |         | SF 7  |       |         |
| 2  |        | 7.20.1<br>9.1.2.2 | 14<br>6 | 20    |       |         |
|    |        |                   |         | SF 7  |       |         |
| 3  |        | 1.6.3<br>9.11.1.6 | 10<br>3 | 13    |       |         |
|    |        |                   |         | SF 3  |       |         |
| 4  |        | 5.1.1<br>9.1.5.1  | 17<br>2 | 19    |       |         |
|    |        |                   |         | SF 5  |       |         |
| 5  |        | 7.2.1<br>9.1.3.2  | 6<br>4  | 10    |       |         |
|    |        |                   |         | SF 7  |       |         |
| 6  |        | 2.2.3             | 3       | 3     |       |         |
|    |        |                   |         | SF 2  |       |         |
| 7  |        | 7.21.3<br>9.1.4.2 | 14<br>4 | 18    |       |         |
|    |        |                   |         | SF 7  |       |         |
| 8  |        | 8.42.1<br>9.1.4.2 | 10<br>4 | 14    |       |         |
|    |        |                   |         | SF 7  |       |         |
| 9  |        | 1.1.1<br>9.2.3.4  | 2<br>9  | 11    |       |         |
|    |        |                   |         | SF 7  |       |         |

| Item        | K  | Score |
|-------------|----|-------|
| Positioning | 15 |       |

| PENALTIES     | Item          | Score |
|---------------|---------------|-------|
|               | Interruptions |       |
|               | Insertions    |       |
|               | Too high      |       |
|               | Too low       |       |
|               | Outs          |       |
|               | Other         |       |
| Disqual Fig # |               |       |

|          |  |
|----------|--|
| T/O time |  |
| End time |  |

|            |
|------------|
| Fig K      |
| <b>124</b> |

|            |
|------------|
| Total K    |
| <b>139</b> |

| Judges Details |
|----------------|
| Signature      |
| Name           |
| Number         |

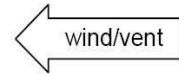


Pilot

A/C

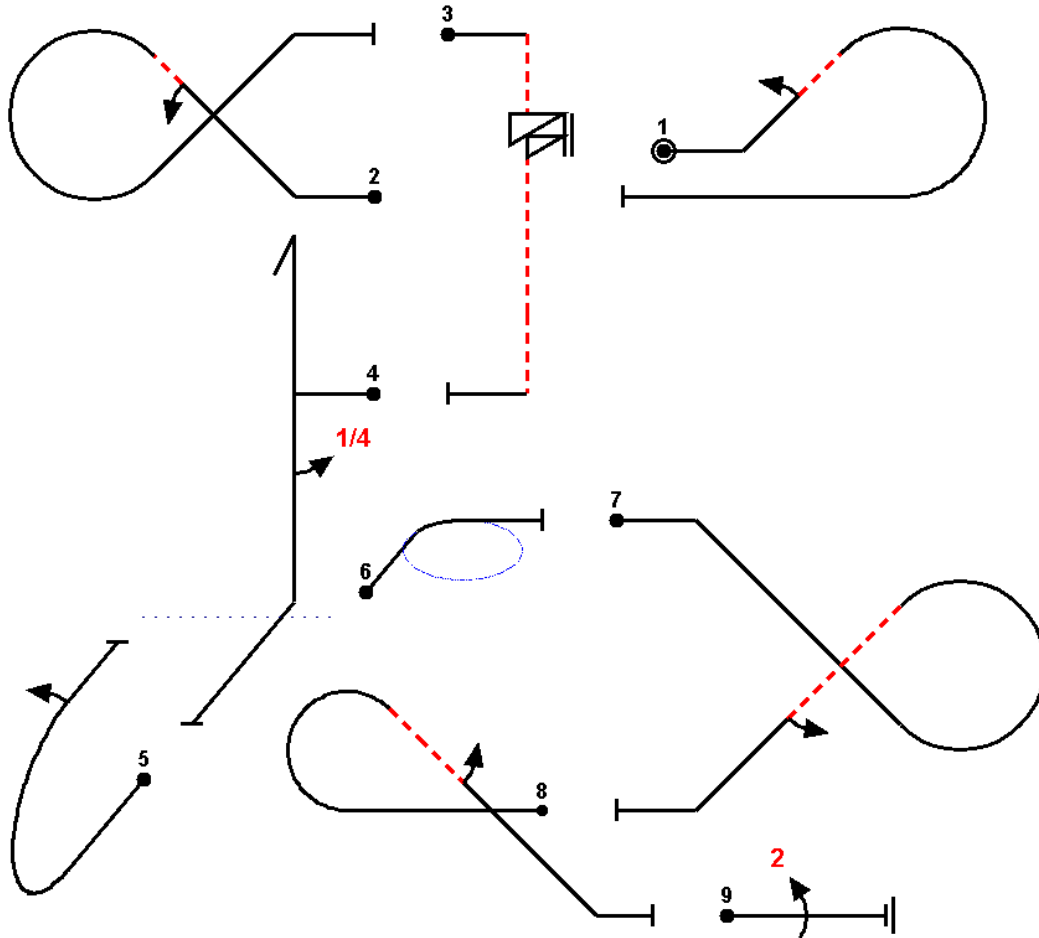


|            |         |          |          |
|------------|---------|----------|----------|
| DONAC 2011 |         | 9-9-2011 | FORM B   |
| Pilot ID # | Unknown | Standard | Flight # |



| No | Catalog No | K  | Tot K |
|----|------------|----|-------|
| 1  | 8.32.1     | 10 | 16    |
|    | 9.1.2.2    | 6  |       |
| 2  | 7.20.1     | 14 | 20    |
|    | 9.1.2.2    | 6  |       |
| 3  | 1.6.3      | 10 | 13    |
|    | 9.11.1.6   | 3  |       |
| 4  | 5.1.1      | 17 | 19    |
|    | 9.1.5.1    | 2  |       |
| 5  | 7.2.1      | 6  | 10    |
|    | 9.1.3.2    | 4  |       |
| 6  | 2.2.3      | 3  | sf 2  |
|    |            |    |       |
| 7  | 7.21.3     | 14 | 18    |
|    | 9.1.4.2    | 4  |       |
| 8  | 8.42.1     | 10 | 14    |
|    | 9.1.4.2    | 4  |       |
| 9  | 1.1.1      | 2  | 11    |
|    | 9.2.3.4    | 9  |       |

---Total K= 124 ---



Total K = 124 (3k@6,20k@2)

Olan v5.10 © M. Golan <http://www.aerobatics.org.il/olan>

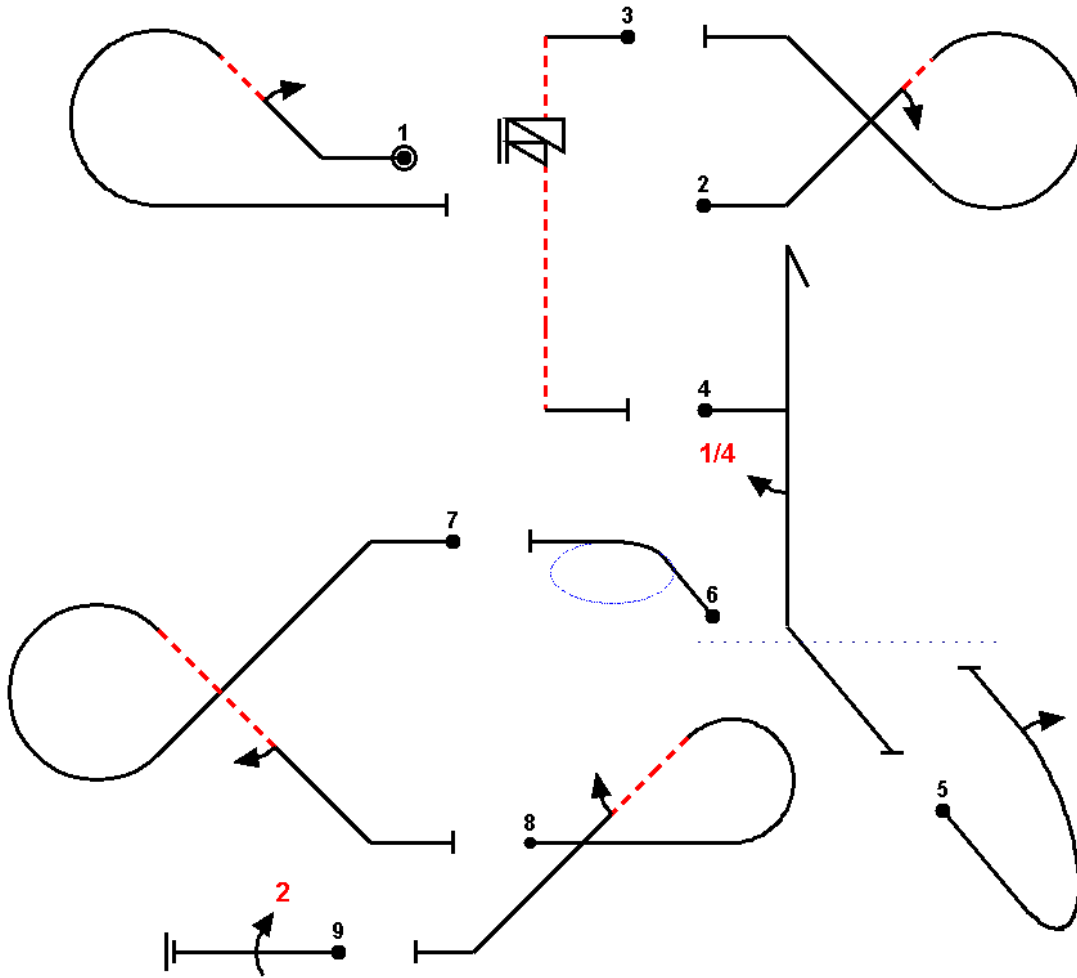
Cannot test this sequence type: 11.other.standard.unknown

\_\_\_\_\_  
pilot

\_\_\_\_\_  
A/C

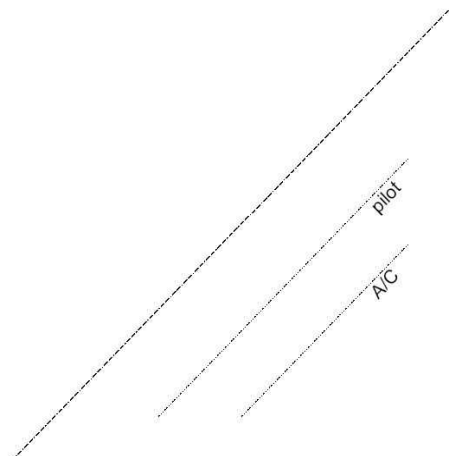


|            |         |          |          |
|------------|---------|----------|----------|
| DONAC 2011 |         | 9-9-2011 | FORM C   |
| Pilot ID # | Unknown | Standard | Flight # |



Total K = 124 (3k@6,20k@2)

Olan v5.10 © M. Golan <http://www.aerobatics.org.il/olan>



Cannot test this sequence type: 11.other.standard.unknown