

Program Q

Unlimited

Pilot ID #

Flight #

No	Symbol	Catalog No	K	Tot K	Score	Remarks
1		5.1.1 9.1.1.1 9.10.1.2 9.4.5.3	17 6 17 8	48		SF 5
2		8.39.1 9.9.1.2 9.1.3.3 9.8.3.1	12 15 6 3	36		SF 7
3		7.1.2 9.1.3.4 9.1.3.6 9.10.3.6	8 8 10 16	42		SF 7
4		2.19.3	27	27		SF 2
5		7.3.2 9.4.3.2 9.2.3.4	7 5 9	21		SF 7
6		1.7.4 9.12.1.4 9.1.5.1	9 7 2	18		SF 7
7		8.33.1 9.1.1.3 9.4.3.4 9.1.3.1 9.1.3.5	11 10 11 2 9	43		SF 7
8		8.3.1 9.1.1.2 9.2.5.4	15 8 9	32		SF 7
9		7.2.1 9.9.3.2 9.9.3.4	6 11 11	28		SF 7

Item	K	Score
Positioning	60	

PENALTIES	Item	Score
	Interruptions	
	Insertions	
	Too high	
	Too low	
	Outs	
	Other	
Disqual Fig #		

T/O time	
End time	

Fig K
295

Total K
355

Judges Details
Signature
Name
Number

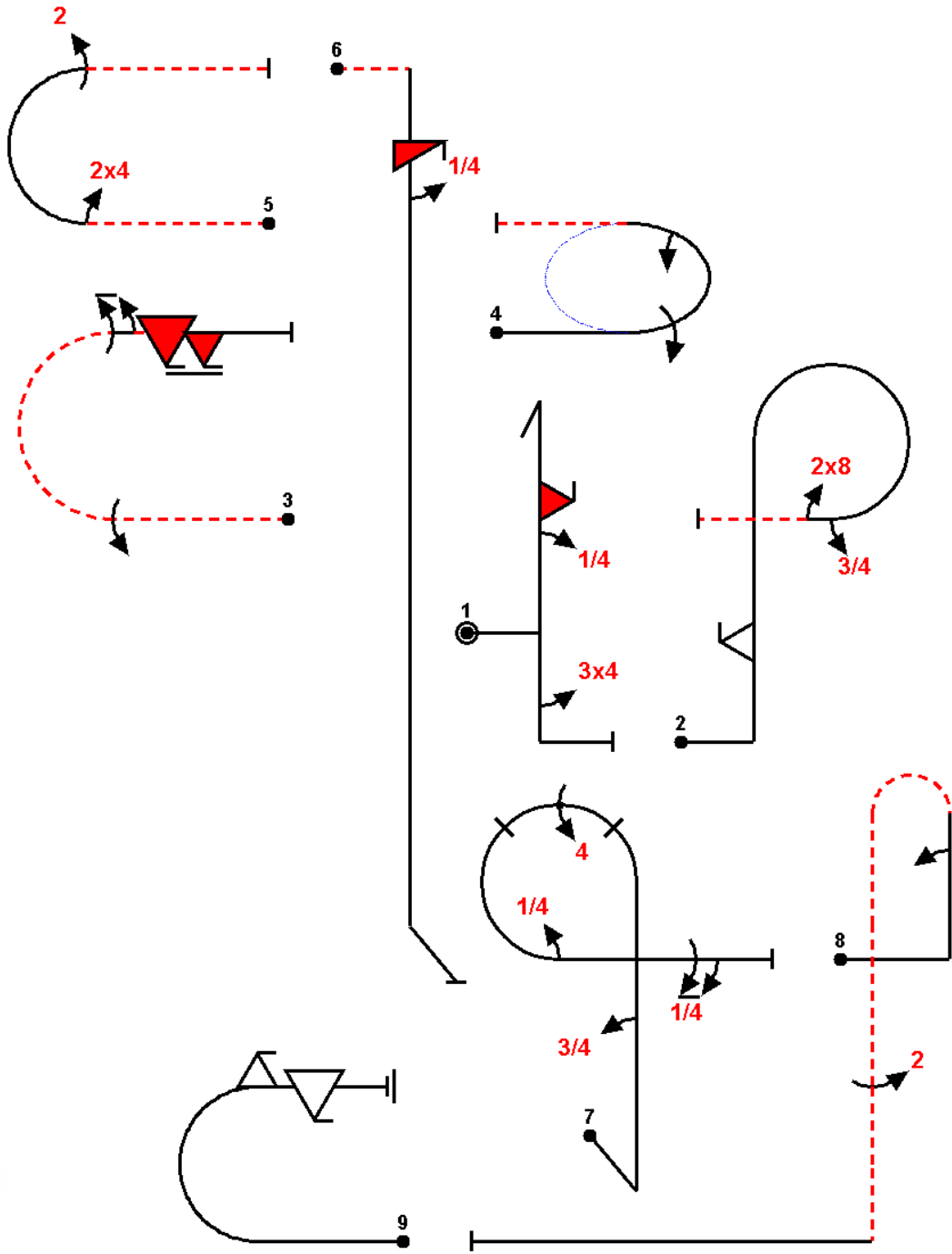
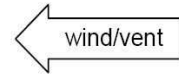


\_\_\_\_\_  
Pilot

\_\_\_\_\_  
A/C



DONAC 2011		FORM B	
Pilot ID #	Program Q	Unlimited	Flight #



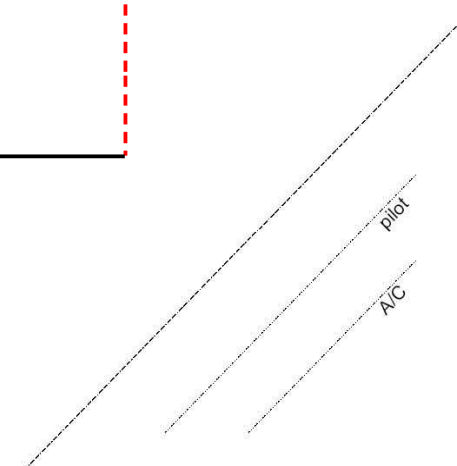
No	Catalog No	K	Tot K
1	5.1.1	17	48
	9.1.1.1	6	
	9.10.1.2	17	
	9.4.5.3	8	
2	8.39.1	12	36
	9.9.1.2	15	
	9.1.3.3	6	
	9.8.3.1	3	
3	7.1.2	8	42
	9.1.3.4	8	
	9.1.3.6	10	
	9.10.3.6	16	
4	2.19.3	27	sf 2
5	7.3.2	7	21
	9.4.3.2	5	
	9.2.3.4	9	
6	1.7.4	9	18
	9.12.1.4	7	
	9.1.5.1	2	
7	8.33.1	11	43
	9.1.1.3	10	
	9.4.3.4	11	
	9.1.3.1	2	
	9.1.3.5	9	
8	8.3.1	15	32
	9.1.1.2	8	
	9.2.5.4	9	
9	7.2.1	6	28
	9.9.3.2	11	
	9.9.3.4	11	

---Total K= 295 ---

Total K = 295 (18k@6,48k@1)

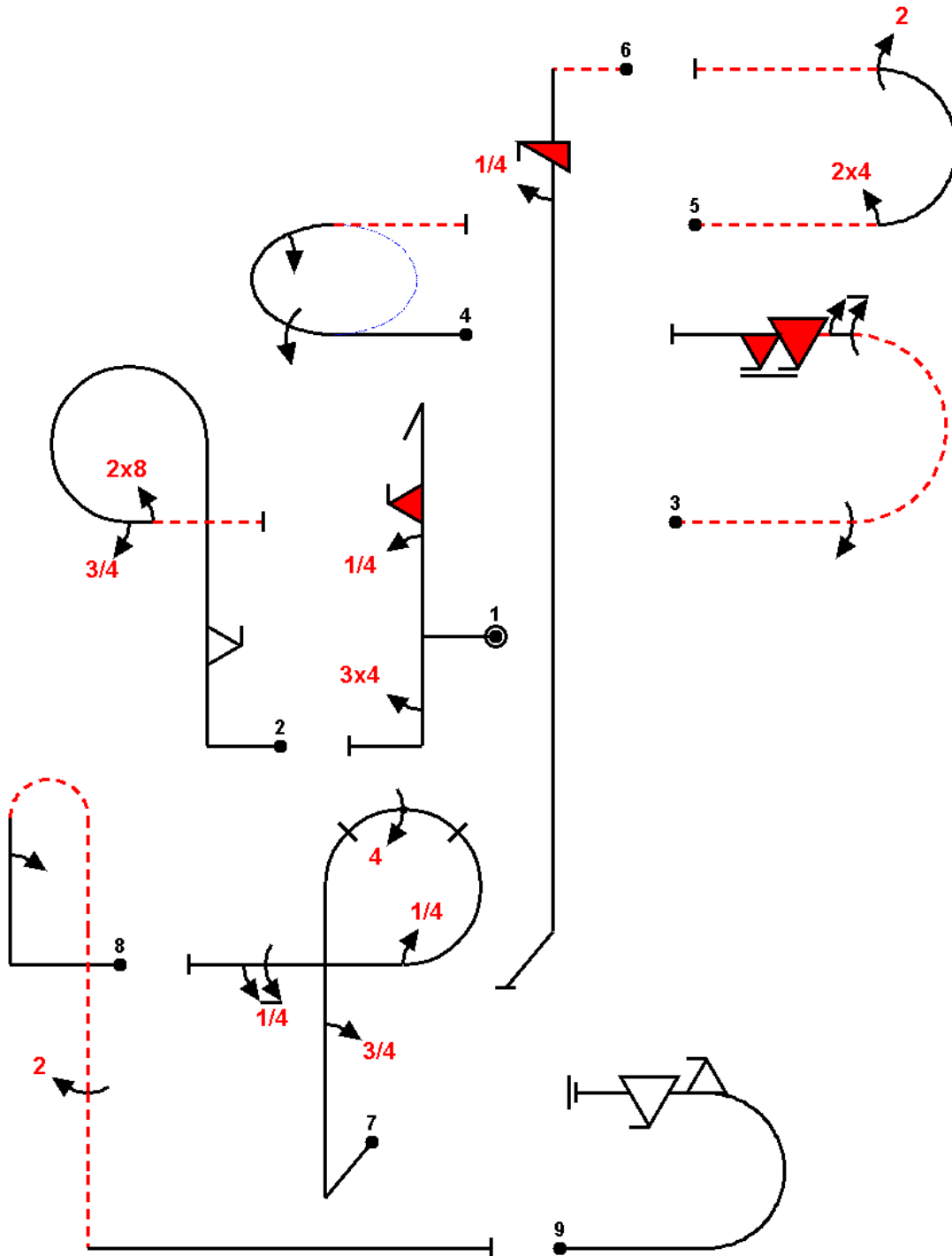
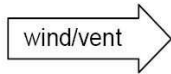
Olan v5.10 © M. Golan http://www.aerobatics.org.il/olan

Sequence [civa unlimited programq] Verified OK: 9 Figures, 295K





DONAC 2011		FORM C	
Pilot ID #	Program Q	Unlimited	Flight #



Olan v5.10 © M. Golan <http://www.aerobatics.org.il/olan>

**Total K = 295 (18k@6,48k@1)**

Sequence [civa unlimited programq] Verified OK: 9 Figures, 295K

