

Free

Intermediate

Pilot ID #

Flight #

No	Symbol	Catalog No	K	Tot K	Score	Remarks
1		1.1.1 9.9.3.4	2 11	13		SF 4
2		2.6.1	22	22		SF 2
3		8.34.3 9.11.1.6	13 3	16		SF 3
4		1.1.4 9.2.3.6	2 12	14		SF 7
5		5.1.1	17	17		SF 5
6		7.7.1 9.1.3.4	14 8	22		SF 7
7		8.19.1 9.4.2.2	14 7	21		SF 7
8		1.11.1 9.1.2.2	9 6	15		SF 7
9		8.42.1 9.4.4.2	10 5	15		SF 7
10		1.1.3 9.1.3.1 9.4.3.3	2 2 8	12		SF 7

Item	K	Score
Positioning	20	

PENALTIES	Item	Score
	Interruptions	
	Insertions	
	Too high	
	Too low	
	Outs	
	Other	
Disqual Fig #		

T/O time	
End time	

Fig K
167

Total K
187

Judges Details
Signature
Name
Number



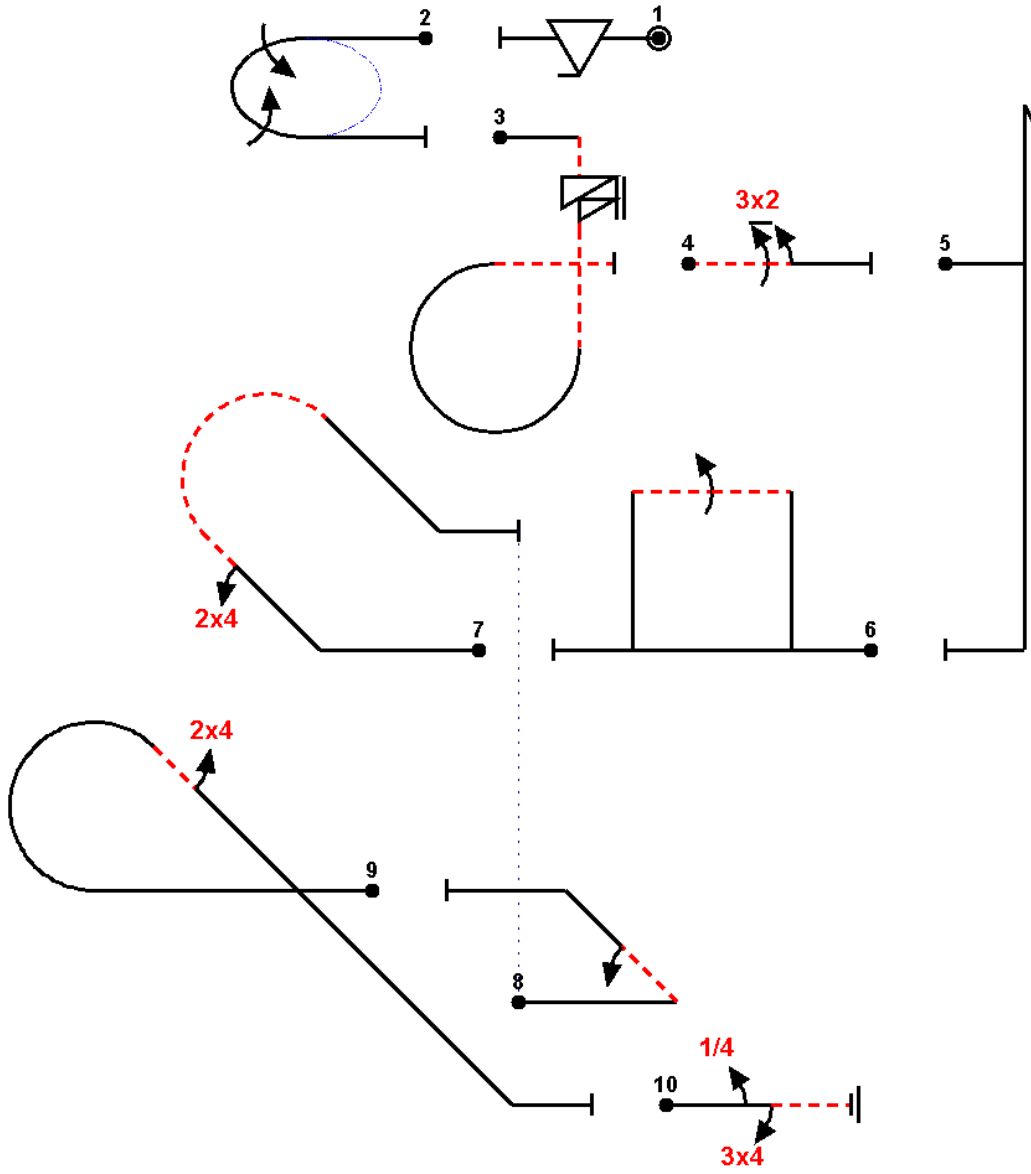
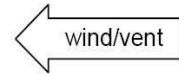
Olan v5.10 © M. Golan http://www.aerobatics.org.il/olan

\_\_\_\_\_  
Pilot

\_\_\_\_\_  
A/C



DONAC 2010		FORM B	
Pilot ID #	Free	Intermediate	Flight #



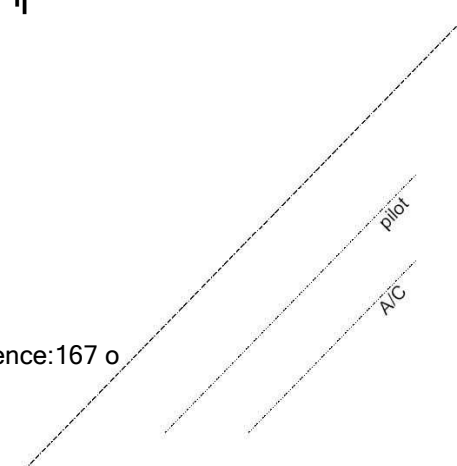
No	Catalog No	K	Tot K
1	1.1.1	2	13
	9.9.3.4	11	
2	2.6.1	22	sf 2
3	8.34.3	13	16
	9.11.1.6	3	
4	1.1.4	2	14
	9.2.3.6	12	
5	5.1.1	17	sf 5
6	7.7.1	14	22
	9.1.3.4	8	
7	8.19.1	14	21
	9.4.2.2	7	
8	1.11.1	9	15
	9.1.2.2	6	
9	8.42.1	10	15
	9.4.4.2	5	
10	1.1.3	2	12
	9.1.3.1	2	
	9.4.3.3	8	

---Total K= 167 ---

Total K = 167 (12k@10,22k@2)

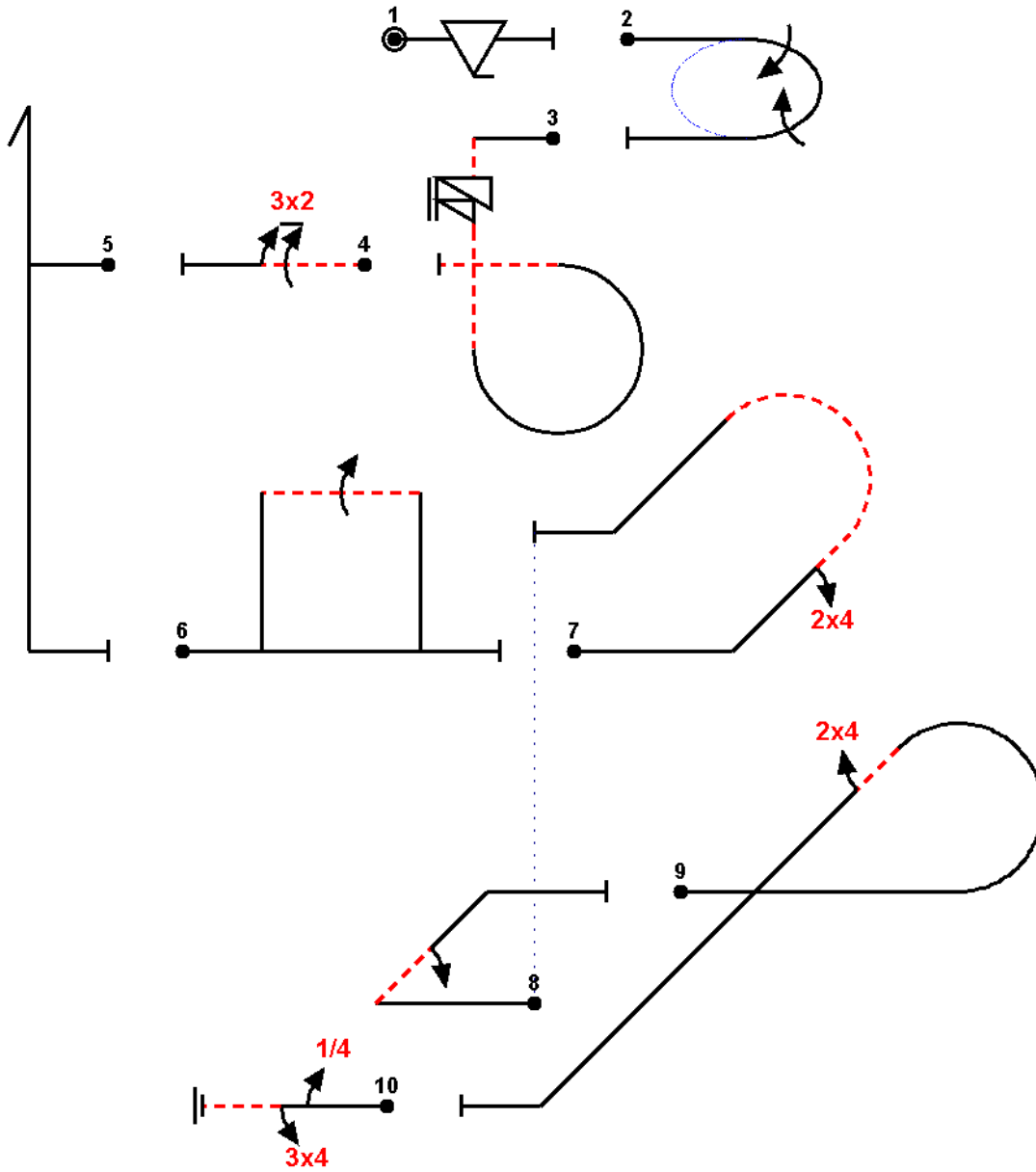
Olan v5.10 © M. Golan http://www.aerobatics.org.il/olan

Sequence [baea intermediate free] Has 1 Verification Error(s): Sequence:167 o





DONAC 2010		FORM C	
Pilot ID #	Free	Intermediate	Flight #



**Total K = 167 (12k@10,22k@2)**

Olan v5.10 © M. Golan <http://www.aerobatics.org.il/olan>

Sequence [baea intermediate free] Has 1 Verification Error(s): Sequence:167 of

\_\_\_\_\_  
 \_\_\_\_\_ pilot  
 \_\_\_\_\_ A/C