

Program 3

Advanced

Pilot ID #

Flight #

No	Symbol	Catalog No	K	Tot K	Score	Remarks
1		5.1.1 9.1.1.2 9.9.5.2	17 8 11	36 SF		
2		7.7.1 9.2.3.4	14 9	23 SF		
3		8.3.1 9.8.1.1 9.1.5.3	15 7 6	28 SF		
4		1.7.1 9.1.1.1	9 6	15 SF		
5		1.7.4 9.12.1.5	9 6	15 SF		
6		5.2.1 9.1.2.4 9.1.5.2	18 10 4	32 SF		
7		8.13.1 9.4.2.4 9.2.4.4	11 13 9	33 SF		
8		7.6.2 9.1.3.2	12 4	16 SF		
9		7.1.1 9.2.3.4	6 9	15 SF		
10		2.9.2	40	40 SF		
11		7.1.4 9.1.3.4	6 8	14 SF		
12		8.40.1 9.4.3.2 9.9.3.4	14 5 11	30 SF		

Item	K	Score
Positioning	40	

PENALTIES	Item	Score
	Interruptions	
	Insertions	
	Too high	
	Too low	
	Outs	
	Other	
Disqual Fig #		

T/O time	
End time	

Fig K
297

Total K
337

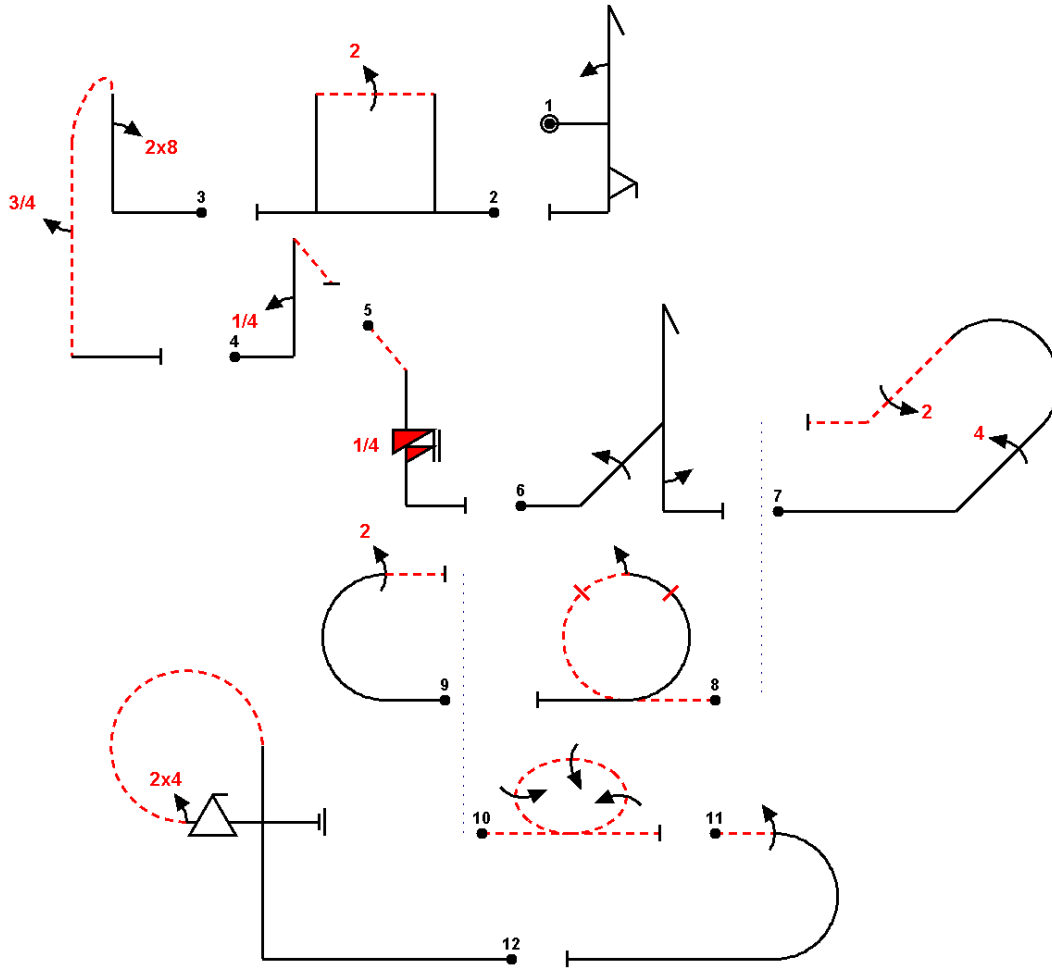
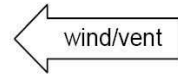
Judges Details
Signature
Name
Number

Olan v5.10 © M. Golan http://www.aerobatics.org.il/olan

Pilot

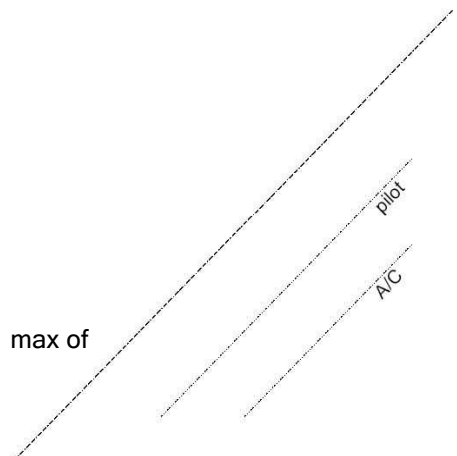
A/C

DONAC 2009		4,5,6 sep	FORM B
Pilot ID #	Program 3	Advanced	Flight #



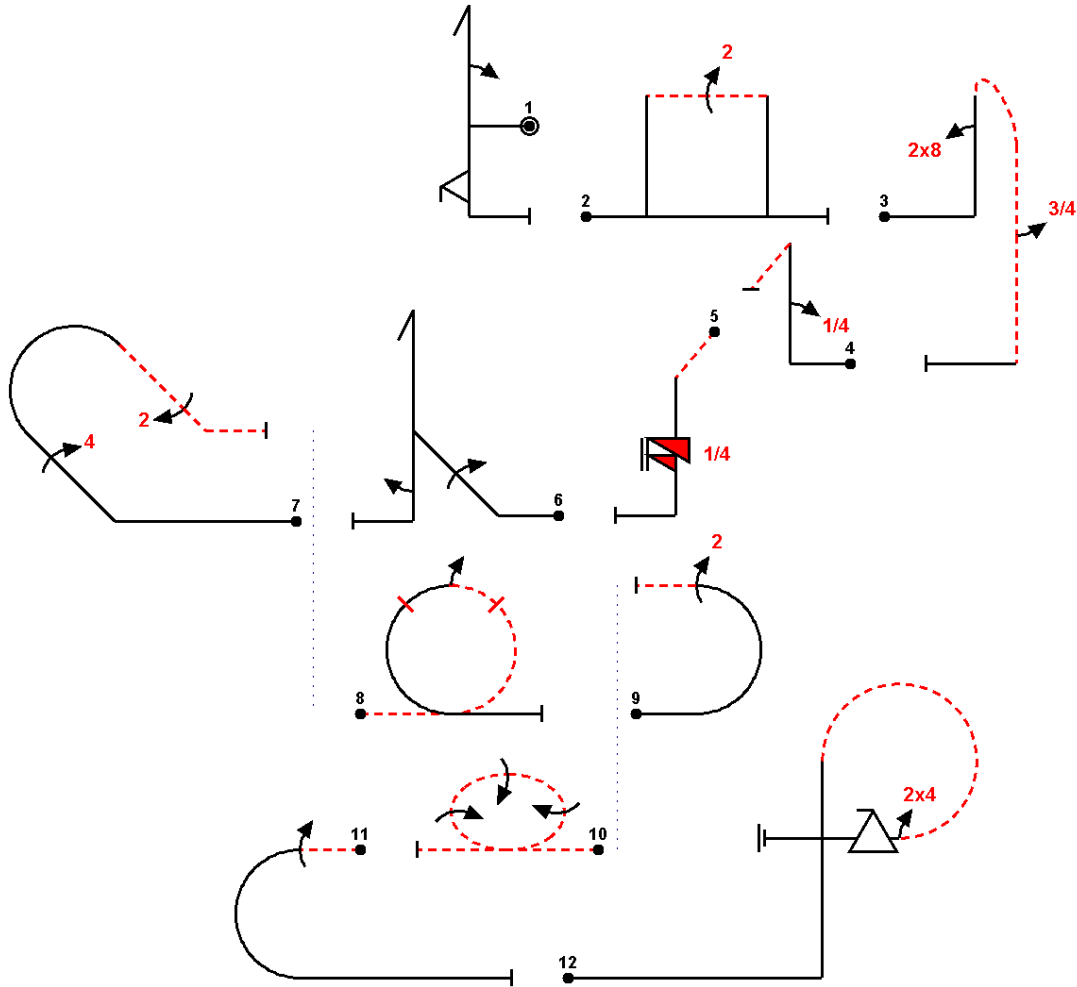
Total K = 297 (14k@11,40k@10)

Olan v5.10 © M. Golan <http://www.aerobatics.org.il/olan>



Sequence [civa advanced program3] Has 5 Verification Error(s): Fig 6: max of

DONAC 2009		4,5,6 sep	FORM C
Pilot ID #	Program 3	Advanced	Flight #



Total K = 297 (14k@11,40k@10)

Olan v5.10 © M. Golan <http://www.aerobatics.org.il/olan>

 pilot

 A/C

Sequence [civa advanced program3] Has 5 Verification Error(s): Fig 6: max of 9.