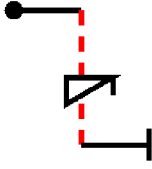
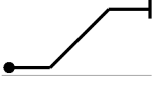

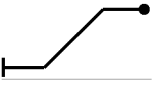
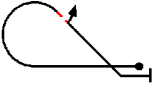



Known

Basic

Pilot ID #

Flight #

No	Symbol	Catalog No	K	Tot K	Score	Remarks
1		1.6.3 9.11.1.4	10 5	15		
				sf=3		
2		1.2.1	7	7		
				sf=7		
3		2.2.1	4	4		
				sf=2		
4		1.2.3	7	7		
				sf=7		
5		8.42.1 9.1.4.2	10 4	14		
				sf=7		
6		1.1.1 9.1.3.4	2 8	10		
				sf=7		

Item	K	Score
Positioning	10	
PENALTIES	Interruptions	
	Insertions	
	Too high	
	Too low	
	Outs	
	Other	
	Disqual Fig #	
T/O time		
End time		

Fig K
57

Total K
67

Judges Details	
Signature	
Name	
Number	



Pilot

A/C

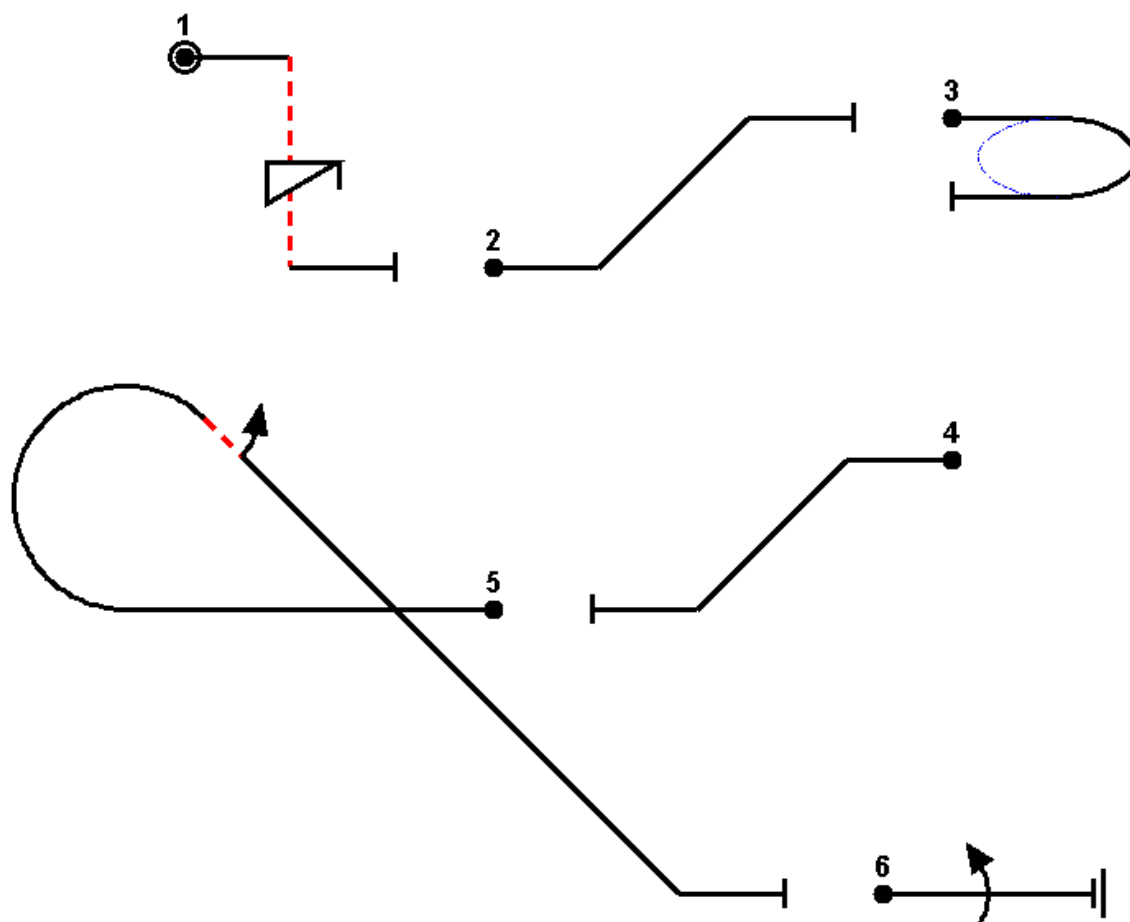
Pilot ID #

Known

Basic

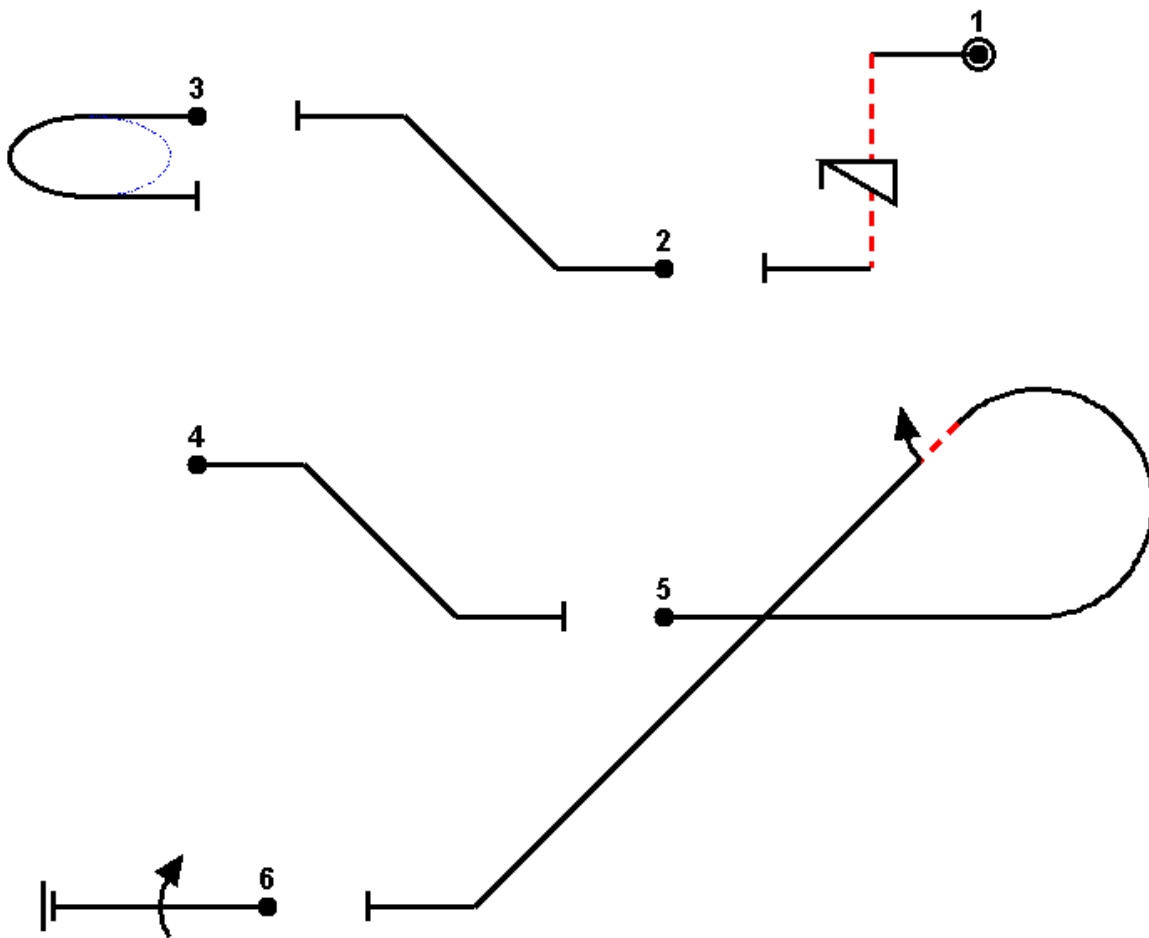
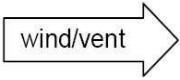
Flight #

wind/vent



Total K = 57 (4k@3,15k@1)

DONAC 2009		FORM C	
Pilot ID #	Known	Basic	Flight #



Total K = 57 (4k@3, 15k@1)

Olan v5.8 © M.Golan <http://www.aerobatics.org.il/olan>

No Verification information available for this sequence type: other.basic.known

 _____ Pilot
 _____ A/C